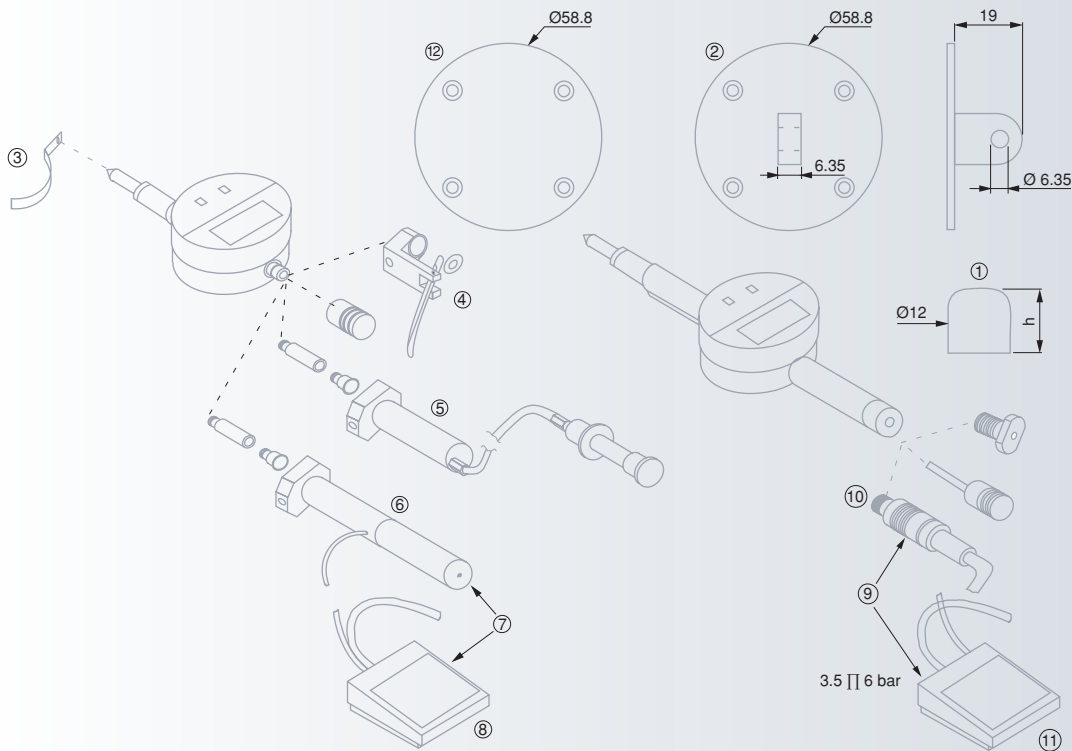


Measuring force

mm	Lower limit value	Upper limit value
12,5	0,7 N	0,95 N
25	0,6 N	1,1 N
50	2,5 N	4,0 N
100	2,5 N	4,0 N

With the indicator used vertically and downward oriented plunger, or in static measurement.

Accessories for TESA DIGICO 10 and 11 as well as MIN/MAX



N°	Symbol	Description	Dimensions	Suitable for
01961000		Lithium battery, type CR 2032, 3 V, 190 mAh		all models
01961009	①	Top mounted dust cap	L = 23 mm	12,5 mm
01961010			L = 36 mm	25 mm
01961003	②	Back with lug		all models
01960005	③	Plunger retracting lever, at the bottom		all models
01961005	④	Plunger retracting lever, at the top		2,5 mm/25 mm
01961011	⑤	Plunger retracting cable, at the top		2,5 mm/25 mm
01961006	⑥	Pneumatic device for plunger retraction, alone without foot switch		12,5 mm/25 mm
01961008	⑦	Foot switch with pressure regulator for N° 01961006		12,5 mm/25 mm
01961007	⑧	Pneumatic device for plunger retraction, complete with foot switch and pressure regulator		12,5 mm/25 mm
S19001431	⑨	Vacuum lifting device		50 mm/100 mm
S19001448	⑩	Pressure regulator for N° S19001431		
S19001447	⑪	Foot switch for N° S19001431		
01961002	⑫	Flat back		all models

For ordering information on connecting cable etc., see section N.