

## Dial Depth Gauges

### Type SPF2



Steel table, hardened and ground, 104 x 125 mm

6 M6 clamping bores for tooling

150 mm table height

0 ÷ 100 mm

Can either be used vertically or horizontally

Furnished with 1 flat plus 1 rounded inserts, 2 extensions (25 or 50 mm long). Dial gauge must be ordered separately.

Reinforced cardboard box

Declaration of conformity

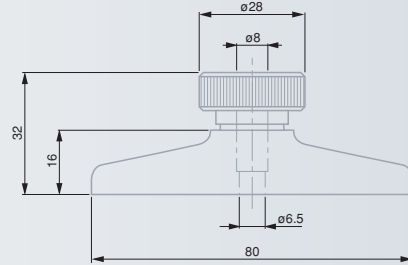


SPF2

Support for depth measurement, without dial gauge



## Dial Depth Gauges, Type PF1



Hardened steel

Finely lapped measuring faces.

Mount with clamp for a dial gauge or a probe.

Provided without dial gauge

Cardboard box

Declaration of conformity



01639046

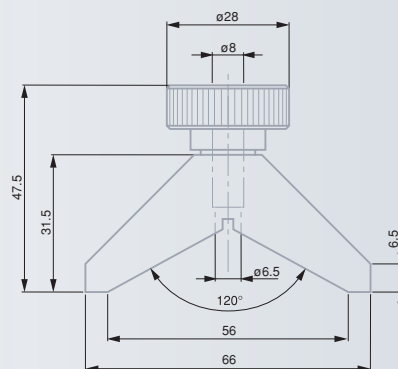
Flat base

mm

80 x 16

Mount mm

Ø 8



01639047

V-base

mm

10 ÷ 100

Width mm

120° 16

Mount mm

Ø 8

Dial Gauges for Type SPF2 or PF1



EN ISO 463.  
Factory standard.

Rotating dial with a 58 mm dia., reading on the left.

Full-metal housing. Long stem with a 8 h6 dia. (L = 42 mm for 555PF1, 32 mm for any other). Stainless steel plunger, hardened and ground.

Shockproof movement

Adjustable tolerance markers.

M2,5 coupling thread for the contact point.

Contact point with 3 mm dia. ball tip, already mounted

Cardboard box

Serial number

Inspection report with a declaration of conformity



Metric Models

	mm	mm	mm	mm	mm	µm	µm	µm	µm	N	
<b>532PF1</b>	0,01	58	10	10,5	1	100 ÷ 50 ÷ 0	17	3	3	≤ 1,5	
<b>555PF1</b>	0,002	58	5	5,3	0,2	20 ÷ 10 ÷ 0	14	1,5	2	≤ 1,5	
<b>556PF1</b>	0,001	58	5	5,3	0,2	20 ÷ 10 ÷ 0	14	1,5	2	≤ 1,5	

Inch Models

	in	mm	in	in	in	in	in	in	in	N
<b>533APF1</b>	0.0005	58	0.400	0.420	0.050	50 ÷ 25 ÷ 0	0.0007	0.00015	0.00015	≤ 1,5
<b>555APF1</b>	0.0001	58	0.200	0.210	0.010	10 ÷ 5 ÷ 0	0.00055	0.0006	0.00008	≤ 1,5