

# TESA DIGICO 1 and 2 Electronic Indicators

Both models are remarkable for their versatile functions, long measuring travel, high accuracy.

- Analogue and digital display; the latter can be displaced for easy reading in any position.
- Zero setting at any point within the measuring span.
- Data input through the keyboard.
- Counting sense reversal.
- Entry of limit values for classification through displayed symbols. Additional green, red or amber coloured background in case the tool is connected to the mains.
- Value storage by means of the functions «Highest value», «Lowest value» or «Highest value minus lowest value».



- ✓
- LC display with coloured background
- 6 decades plus minus sign
- 9 x 4,5 mm digit height (H x W)
- See table opposite
- Metric/inch conversion
- 40 mm scale length
- 25 scale divisions
- According to selected tolerances
- 30,4 mm (DIGICO 1) or 60,4 mm (DIGICO 2)
- Incremental glass scale max. 1 m/s
- Max. 1 m/s (DIGICO 1) or max. 2 m/s (DIGICO 2)
- Plunger guiding on a plain bearing  
Measuring insert with M2,5 thread
- DIGICO 1: 2 µm  
DIGICO 2: 3 µm
- 1 µm
- 1 µm
- See table on page E-9
- RS 232
- 3,6 V lithium battery or mains adapter

TESA Models					
<b>01930000</b>	DIGICO 1	30	0,001 / 0,01	1.18	0.00005 / 0.0005
<b>01930001</b>	DIGICO 2	60	0,001 / 0,01	3.36	0.00005 / 0.0005
<i>IP54 model with rubber bellow</i>					
<b>S19060524</b>	DIGICO 1	30	0,001 / 0,01	1.18	0.00005 / 0.0005
<b>COMPAC Models*</b>					
<b>01990004</b>	MC 2030-MT	30 mm model with 9 pairs of tolerances			
<b>01990006</b>	MC 2060-MT	30 mm model with 9 pairs of tolerances			
<b>S19070744</b>	MC 2030-FC	30 mm model with correction against 2 reference standards			

\* As for TESA DIGICO 1 and 2, all indicated data depend on the measuring span.

≈ 1000 h with lithium battery

0,002% /°C

10°C to 40°C

-10°C to 50°C



Housing of regular models to IP 54 (IEC 60529)

290 g (DIGICO 1)  
310 g (DIGICO 2)  
Moved mass through the measuring bolt:  
28 g (DIGICO 1)  
27 g (DIGICO 2)

Supplied in a suited carrying case along with 1 lithium battery No. 01960007 and 1 lever No. 01960005

Identification number

Inspection report with a declaration of conformity



## Measuring force



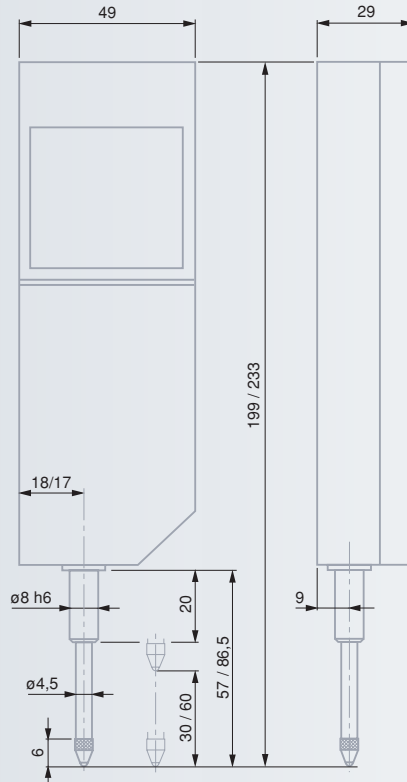
DIGICO 1

DIGICO 2

Measuring force\* close to plunger stop

- bottom	0,85 N ± 0,15 N	0,90 N ± 0,20 N
- top	1,10 N ± 0,20 N	1,45 N ± 0,25 N
Hysteresis*	0,10 N	0,15 N

\* Valid with the indicator used vertically, with downward oriented plunger, or in static measurement.

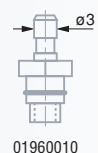
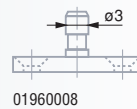


## Accessories for TESA DIGICO 1 and 2



<b>04761037</b>	230 V mains adapter, 50 Hz, 9 V, 200 mA, 1,8 VA
<b>04761057</b>	110 V mains adapter
<b>01960007</b>	3,6 V lithium battery, LR6, AA
<b>01960005</b>	Lever for plunger retraction
<b>01960009</b>	Connector for vacuum plunger lift, suitable for DIGICO 1
<b>01960008</b>	Same as above, but for DIGICO 2
<b>01960010</b>	Connector for pneumatic plunger retraction, suitable for DIGICO 1 only
<b>01960011</b>	Adapter for use of the mains adapter together with the switch for triggering data transfer
<b>04768000</b>	Hand switch for triggering data transfer

For ordering information on connecting cable etc., see section N



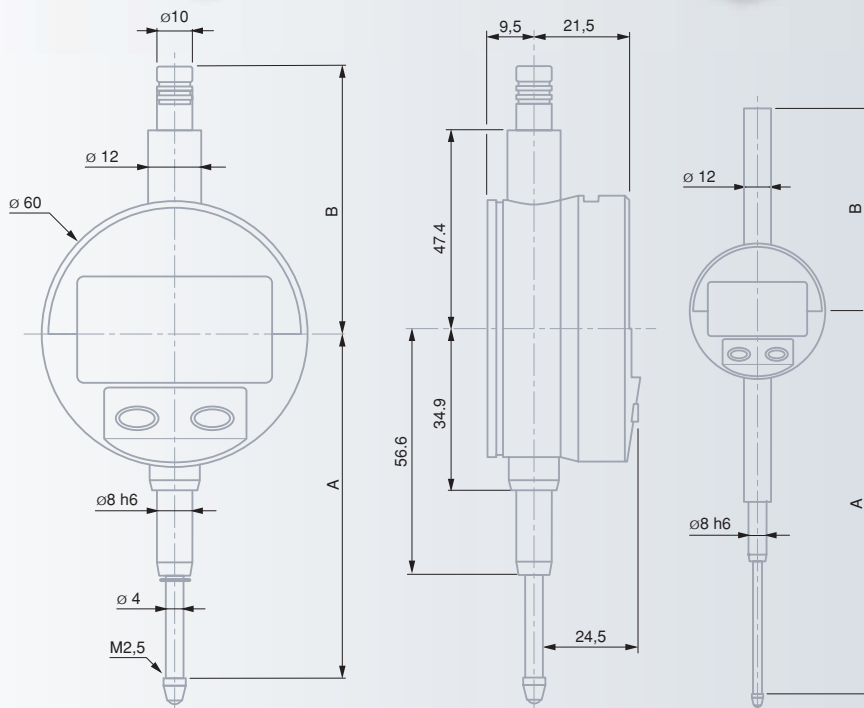
## TESA DIGICO 10 and 11 as well as MIN/MAX Electronic Indicators

These three versions are made for optimum adaptation to your metrology applications.

- Zero-setting of display anywhere within the measuring span.
- Display and keyboard rotating through 270°.
- Ability to hold the measured values.
- Digit entry (PRESET function).
- Two datum points.
- Digital output.

### Models TESA DIGICO 10

Provided with all the features listed above.



6-decade  
LC display.  
plus minus sign



8,5 mm  
digit height



See tables



Metric/inch  
conversion



Glass scale with  
incremental divisions,  
capacitive



Max. perm.:  
1,5 m/s



Case in light  
alloy. Front face  
in polyamide.  
Stainless steel plunger  
guided on a plain bearing.  
Measuring insert with a  
M2,5 thread.



See tables



0,01 mm = 10 µm  
0,001 mm = 2 µm



2 µm  
(0,001 mm)



See table  
on page E-12



RS 232,  
opto-coupled



3V lithium battery,  
type CR 2032



DIGICO 10  
≈ 4000 h.  
DIGICO 11/  
MIN/MAX ≈ 2000 h



5°C to 40°C



-20°C to 60°C



EN 50081-1:1993  
EN 50082-1:1993

IP51  
(IEC 60529)

See tables

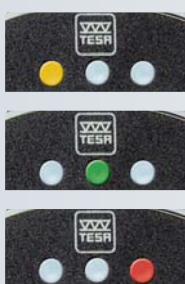
Supplied in a  
suited carrying  
case including  
1 lithium battery, type  
CR 2032 (No. 01961000)

Identification  
number

Inspection report  
with a declaration  
of conformity

<b>01930110*</b>	12,5	0,01	10	120	69,9	64	0.5	0.0005
<b>01930111*</b>	25	0,01	10	130	82,4	64	1	0.0005
<b>01930112*</b>	50	0,01	20	210	150,5	90,5	2	0.0005
<b>01930113*</b>	100	0,01	20	250	250,5	140,5	4	0.0005
<b>01930101</b>	12,5	0,001	5	120	69,9	64	0.5	0.00005
<b>01930100</b>	25	0,001	5	130	82,4	64	1	0.00005
<b>01930102</b>	50	0,001	12	210	150,5	90,5	2	0.00005
<b>01930103</b>	100	0,001	15	250	250,5	140,5	4	0.00005

\* Delivered without inspection report.



### Models TESA DIGICO 11

With same base features as set forth plus the following functions:

- Possible entry of limit values for classification through colour LEDs: green for «Good», red for «Scrap», amber for «Rework».
- Value storage using the functions «Highest value», «Lowest value» and «Highest value minus lowest value».
- Counting sense reversal.

<b>01930104</b>	12,5	0,001	5	120	69,9	64	0.5	0.00005
<b>01930105</b>	25	0,001	5	130	82,4	64	1	0.00005

### Models TESA DIGICO MIN/MAX

With same key features as TESA DIGICO 11, except for the PRESET function that's unavailable when used in normal mode. Provided without LEDs for value classification.

- Mainly used for registering the measured values through the function «Highest value minus lowest value».

<b>01930120</b>	12,5	0,001	5	120	69,9	64	0.5	0.00005

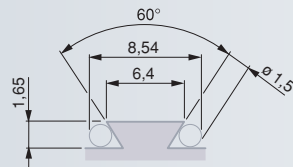
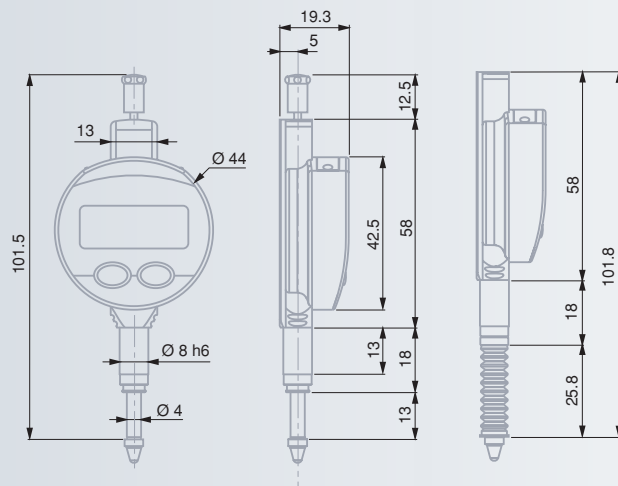


# TESA DIGICO 12 Small Electronic Dial Gauges

Made to measure in extreme workshop conditions – Water and coolant resistant (IP65) – Housing with a 44 mm diameter – Let you take advantage of the mechanics combined with digital reading.

## Models TESA DIGICO 12 – Standard

- 44 mm dia. dial gauge housing.
- Water and coolant resistant (IP65).
- RS 232 data output combined with external power supply.
- Inductive measuring system, patented.
- Choice between absolute («ABS») and relative («REL») modes.
- Numerical display.
- Possible setting of PRESET value to ±200 mm.
- Switchable measuring direction.
- Direct metric/inch conversion.
- Automatic shut down.



LCD, 5 digits + sign

6 mm digit height

Zero-setting of display

20  $\mu$ m

5  $\mu$ m

0,5 to 0,9 N ( $\pm 0,15$  N)

Max. 2 m/s

Number of measurements per second: 7

Working temperature range: +5°C to +40°C

3V lithium battery, type CR 2032

Battery life > 3500 hours

RS 232

70 g

EN 61326-1

IP65 (IEC 529)

Shipping packaging incl. 1 lithium battery, type CR 2032 (No. 01961000)

Serial number

Declaration of conformity without for models 0,01 mm with for models 0,001 mm



mm/in



mm



in



Module

Models to IP65 with electronic module protected against the penetration of liquids

01930130 12,5/0.5 0,01 0.0005 IP65

01930132 12,5/0.5 0,001 / 0,01 0.00005 / 0.0005 IP65

Models to IP65 with both mechanics and electronics protected against the penetration of liquids

01930131 12,5/0.5 0,01 0.0005 IP65

01930133 12,5/0.5 0,001 / 0,01 0.00005 / 0.0005 IP65



**Models TESA DIGICO 12 – HP**

- High-precision measuring system.
- Water and coolant resistant (IP65).
- Combined analogue/digital display.
- Analogue readout from  $\pm 0,025$  to  $\pm 1,25$  mm.
- Measuring modes NOR/MIN/MAX/MAX-MIN.
- Housing with a 44 mm diameter dial.
- RS 232 data output combined with external power supply.
- Inductive measuring system, patented.
- Zero-setting of display.
- Direct metric/inch conversion.
- Auto shut down. Can also be locked.



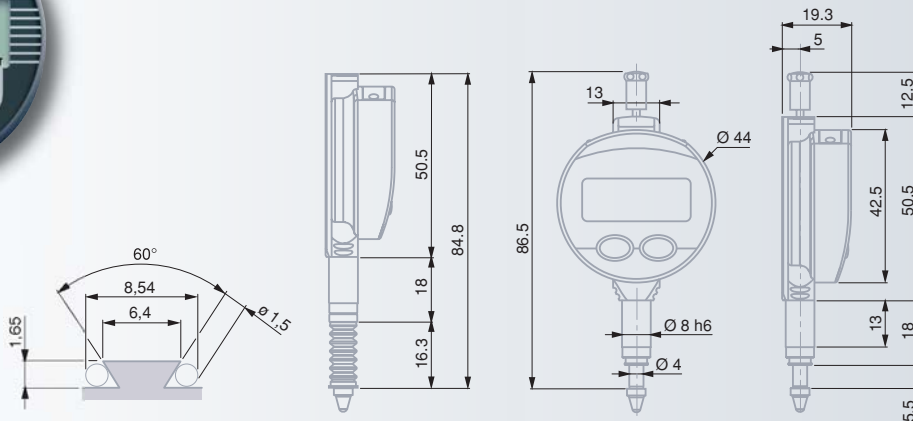
No	mm/in	mm	in	Module
----	-------	----	----	--------

Models to IP65 with electronic module protected against the penetration of liquids

**01930134** 5/0.210 0,001 / 0,01 0.00005 / 0.0005 IP65

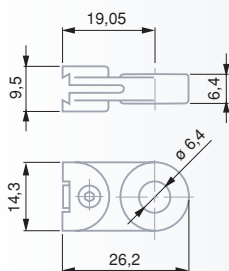
Model to IP65 with both mechanics and electronics protected against the penetration of liquids

**01930135** 5/0.210 0,001 / 0,01 0.00005 / 0.0005 IP65

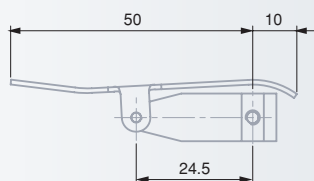


**Accessories**

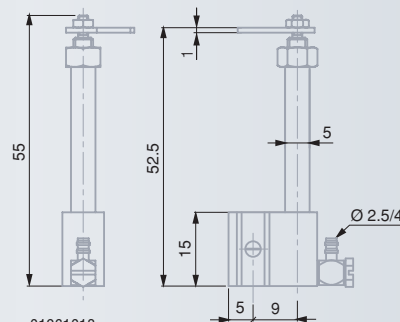
No	
<b>03238013</b>	Back with lug
<b>01961012</b>	Upper lift lever
<b>01960005</b>	Lower lift lever
<b>01961013</b>	Pneumatic retraction device
<b>04761060</b>	RS 232 connecting cable with external power supply
<b>01961000</b>	3 V lithium battery, type CR 2032, 190 mAh



03238013



01961012



01961013

- ✓
- LCD, 5 digits + sign
- 6 mm digit height
- Zero-setting of display
- 4  $\mu$ m
- 2  $\mu$ m
- 0.4 to 0.75 N ( $\pm 0,15$  N)
- Max. 2 m/s
- Number of measurements per second: 9
- Working temperature range: +5°C to +40°C
- 3V lithium battery, type CR 2032
- Battery life > 4000 hours
- RS 232
- 70 g
- EN 61326-1
- IP65 (IEC 529)
- Shipping packaging including 1 lithium battery, type CR 2032 (No. 01961000)
- Serial number
- Inspection report with a declaration of conformity