

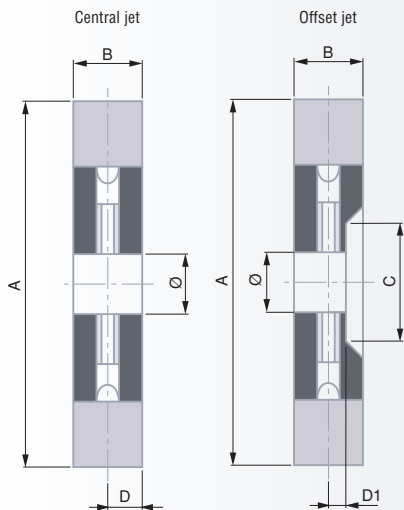
MERCER Air Ring Gauges

Check diameters and detect form deviations on cylindrical shafts.

- Application ranges from 1,50 up to 50,80 mm/0.059 up to 2.000 in.
- Bayonet mount for quick gauge assembly.
- Two jets spaced 180° apart from one another.

MERCER Miniature Air Ring Gauges 1,50 to 6,00 mm/0.059 to 0.236 in diameters

- Standard rings with central jets fitted on the guiding cylinder.
- Rings with off-set jets for measuring close to the shoulder also available.



mm



µm



A mm

B mm

C mm*

D mm

D1 mm*

Metric versions

1,50 ÷ 2,30	≤ 10	34,9	6,4	12,7	3,17	1,00
2,30 ÷ 3,05	≤ 15	34,9	6,4	12,7	3,17	1,27
3,05 ÷ 3,56	≤ 20	34,9	6,4	12,7	3,17	1,50
3,56 ÷ 4,32	≤ 30	34,9	6,4	12,7	3,17	1,50
4,32 ÷ 6,00	≤ 40	34,9	6,4	12,7	3,17	1,78



in



in



A in

B in

C in*

D in

D1 in*

Inch versions

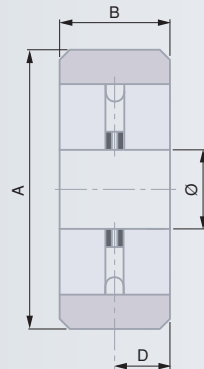
0.059 ÷ 0.090	≤ 0.0004	1.375	0.25	0.50	0.125	0.04
0.090 ÷ 0.120	≤ 0.0006	1.375	0.25	0.50	0.125	0.05
0.120 ÷ 0.140	≤ 0.0008	1.375	0.25	0.50	0.125	0.06
0.140 ÷ 0.170	≤ 0.0012	1.375	0.25	0.50	0.125	0.06
0.170 ÷ 0.236	≤ 0.0016	1.375	0.25	0.50	0.125	0.07

* Air ring gauges with off-set jets.

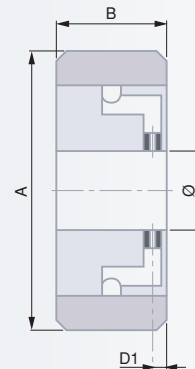
Important
When asking for a quotation or writing down your order, it is important to state your requirements according to the information on page O-6).

MERCER Standard Air Ring Gauges 6,00 to 50,80 mm/0.236 to 2.000 in diameters

- Standard rings with central jets fitted on the guiding cylinder.
- Other rings with off-set jets permit to measure close to the shoulder.



Central jet
air ring gauge



Off-set jet
air ring gauge



mm



µm



A mm

B mm

D mm

D1 mm*

Metric versions

6,00 ÷ 9,65	≤ 50	75,4		28,6	14,3	3,2
9,65 ÷ 25,52	≤ 100	75,4		28,6	14,3	3,2
25,52 ÷ 38,22	≤ 100	88,1		28,6	14,3	3,2
38,22 ÷ 50,80	≤ 100	113,5		28,6	14,3	3,2



in



in



A in

A in*

B in

D in

D1 in*

Inch versions

0.236 ÷ 0.380	≤ 0.002	2.968	2.968	1.125	0.562	0.125
0.380 ÷ 0.505	≤ 0.004	2.968	2.968	1.125	0.562	0.125
0.505 ÷ 1.005	≤ 0.004	2.968	3.468	1.125	0.562	0.125
1.005 ÷ 1.505	≤ 0.004	3.468	4.468	1.125	0.562	0.125
1.505 ÷ 2.000	≤ 0.004	4.468	4.468	1.125	0.562	0.125

* Air ring gauges with off-set jets

Important

When asking for a quotation or writing down your order, it is important to state your requirements according to the information on page O-6).

