

TESA TPS 300 / 500 / 1000 Motorised Setting Benches

These motorised benches are specially made for display setting as well as for calibrating 2-point or 3-point shop tools used to measure both internal and external dimensions up to 1000 mm.



Benefit

A single bench can replace a wide number of setting standards such as gauge blocks or setting rings.

- ✓
- 0,001 mm
- 1,5 + L (mm) / 300 µm
- ≤ 1 µm
- 1 µm
- 10 N
- 100/240 AC – 1,5 A / 50/60 Hz
- RS 232
- +10 to +40°C
- 10 to +40°C
- ✓
- Shipping packaging
- Identification number
- Inspection report
- Declaration of conformity

Technical Data

No.	=	Int. dimensions mm/in	Ext. dimensions mm/in	mm	kg
02130001	TPS 300	1 ÷ 305 (0.04 ÷ 12)	40 ÷ 330 (1.6 ÷ 13)	610 x 300 x 270	50
02130002	TPS 500	1 ÷ 508 (0.04 ÷ 20)	40 ÷ 532 (1.6 ÷ 21)	820 x 300 x 300	75
02130003	TPS 1000	10 ÷ 1016 (0.4 ÷ 40)	40 ÷ 1040 (1.6 ÷ 41)	1330 x 340 x 300	300
On request	TPS 1500 mm				
<i>Provided with the following accessories:</i>					
Power supply 80 – 240 V, 50 – 60 Hz					
Rubber feet (3) acting as vibration inhibitors					
AL300003 adapter mounted on the mobile stop (order No. 02160027)					

All given maximum permissible errors for a metrological characteristic (MPE) are valid for a temperature of 20° ±0,5° C and relative humidity of 50 ±5%.

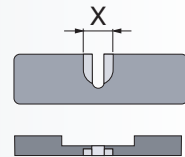
Optional Accessories

For Bore Gauges – TESA Veribor

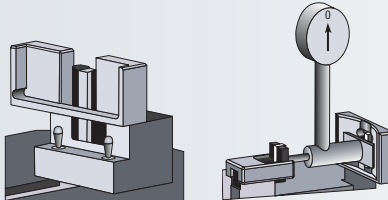


Application range 4,5 ÷ 50 mm

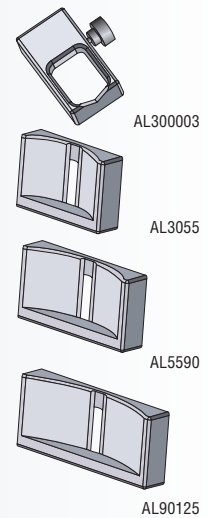
No	=	mm	
02160020	A7547	4,5 ÷ 6	Ø 4,5
02160021	A7548	6 ÷ 12,5	Ø 5,8
02160022	A7525	12 ÷ 25	Ø 9,5
02160023	A7559	25 ÷ 50	Ø 17,5



Application range 50 ÷ 550 mm



No	=	mm
02160024	AL3055	50 ÷ 150
02160025	AL5590	150 ÷ 300
02160026	AL90125	240 ÷ 550

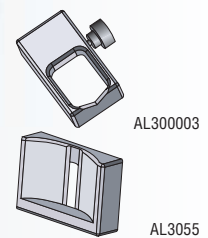


Each bench is supplied with AL300003 adapter.

– Interapid



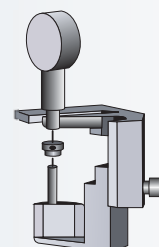
No	=	mm
02160024	AL3055	50 ÷ 200

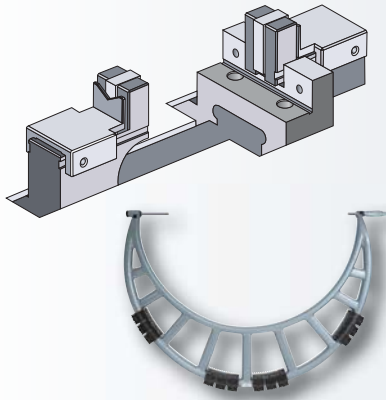


Each bench is supplied with AL300003 adapter.

– TESA YA

No	=	mm
02160028	A7750-A7751-A7752	6 ÷ 12,5

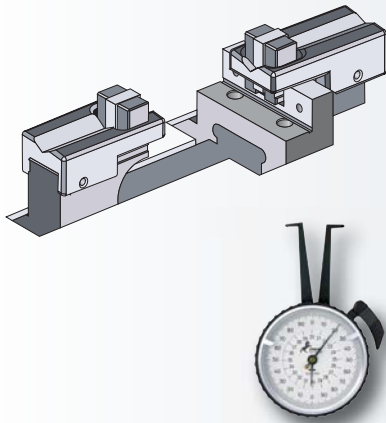




For Internal Micrometers

02160029	A300000	40 ÷ 1500

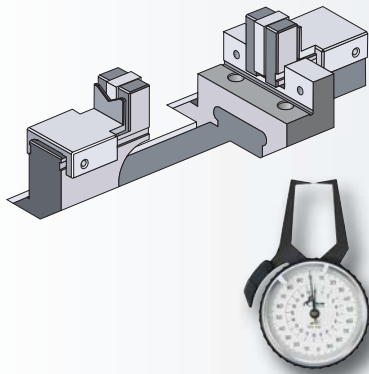
TPS 300 requires 1 item, TPS 500 and 1000 need 2 items.



For IRA 2 and ETALON Caliper Gauges Internal measuring

02160030	A300005	10 ÷ 150

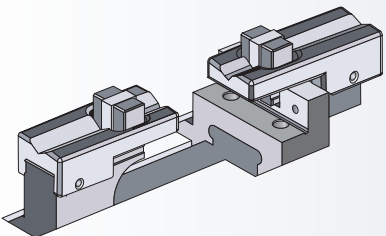
Requires 2 items.



For ETALON Caliper Gauges External measuring

02160029	A300000	40 ÷ 60

Requires 2 items.



For TESA INOTEST Comparator gauges with 2-point contact for internal and external measuring

02160031	A300004	50 ÷ 1500

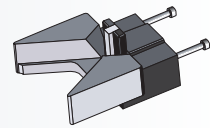
Requires 2 items



For TESA IMICRO and ALESOMETERS

Internal measuring

No	=	mm
02160033	A7913	20 ÷ 140
02160034	A7914	125 ÷ 240



For Lever-Type Dial Test Indicators

No	=	
01639025	Measuring support with articulated arm	

For any other shop tool, please ask your local TESA sales representative.



For Dial Gauges

No	=	mm
02160035	A300001-A300002	10 ÷ 150

