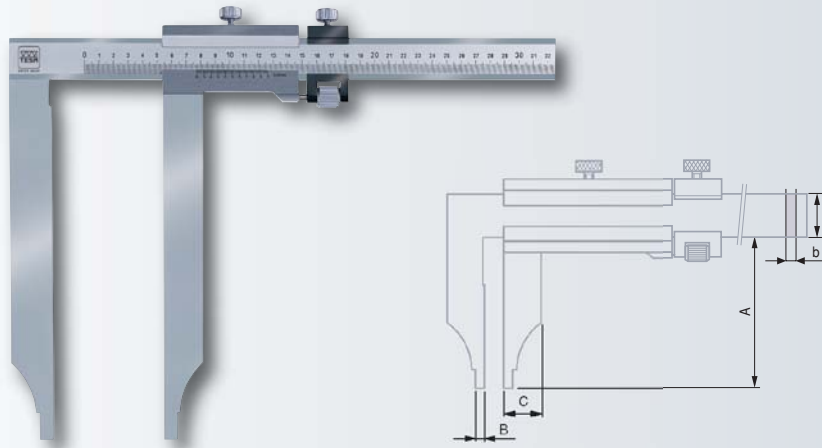


TESA Calipers with Extra Long Jaws

– With extra long jaws and fine adjust device



	mm	mm	mm		A	B	C
			a	b			
00510921	0 ÷ 500	0,02	28	6	250	10	30
00510922	0 ÷ 500	0,05	28	6	250	10	30
00510931	0 ÷ 800	0,02	32	8	300	10	30
00510932	0 ÷ 800	0,05	32	8	300	10	30
00510941	0 ÷ 1000	0,02	32	8	300	10	30
00510942	0 ÷ 1000	0,05	32	8	300	10	30

Optional Accessory
0051610365 Magnetic magnifying glass, 3x magnification.



Factory standard

Satin-chrome scale background; main scale slightly set back for wear protection.

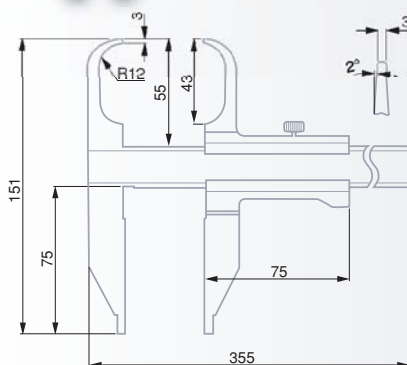
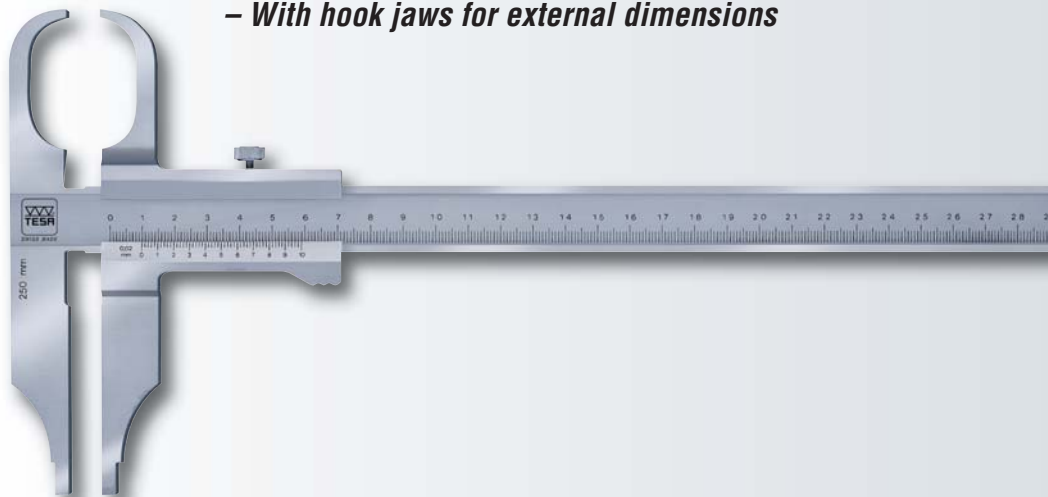
Hardened stainless steel

Wooden case

Identification number

Declaration of conformity

– With hook jaws for external dimensions



	mm	mm	in	in
00510911	0 ÷ 250	0,02		
00530911	0 ÷ 250	0,02	0 ÷ 10	0.001
00510912	0 ÷ 250	0,05		

Optional Accessory
0051610365 Magnetic magnifying glass, 3x magnification.



NF E 11-096

Satin-chrome scale background; main scale slightly set back for wear protection.

Hardened stainless steel

Wooden case

Identification number

Declaration of conformity



DIN 862
(Style DN-2)
NF E 11-091

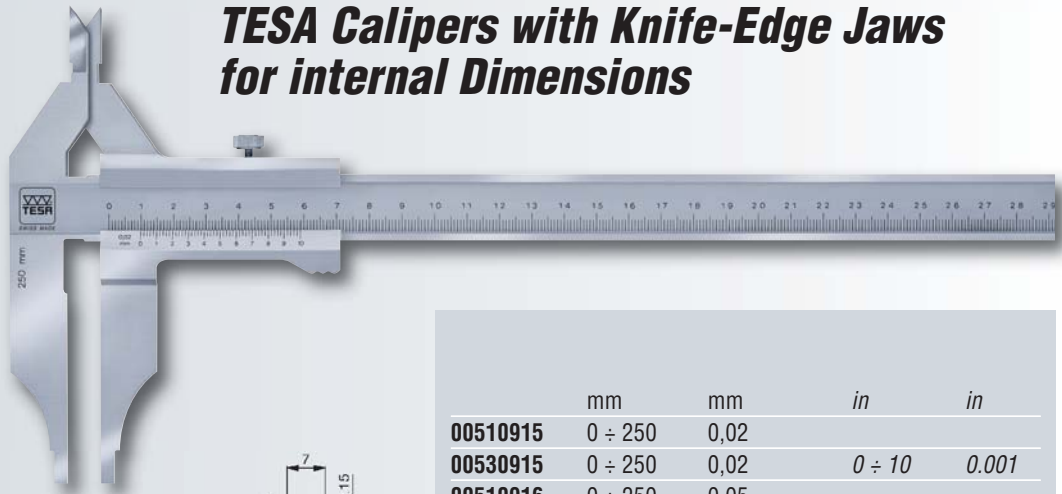
Satin-chrome
scale background;
main scale
slightly set back for wear
protection.

Hardened
stainless steel

Wooden case

Identification
number

Declaration
of conformity

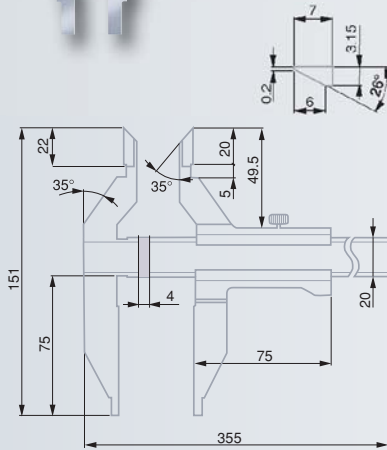


TESA Calipers with Knife-Edge Jaws for internal Dimensions

	mm	mm	in	in
00510915	0 ÷ 250	0,02		
00530915	0 ÷ 250	0,02	0 ÷ 10	0.001
00510916	0 ÷ 250	0,05		

Optional Accessory

0051610365 Magnetic magnifying glass, 3x magnification.



NF E 11-096

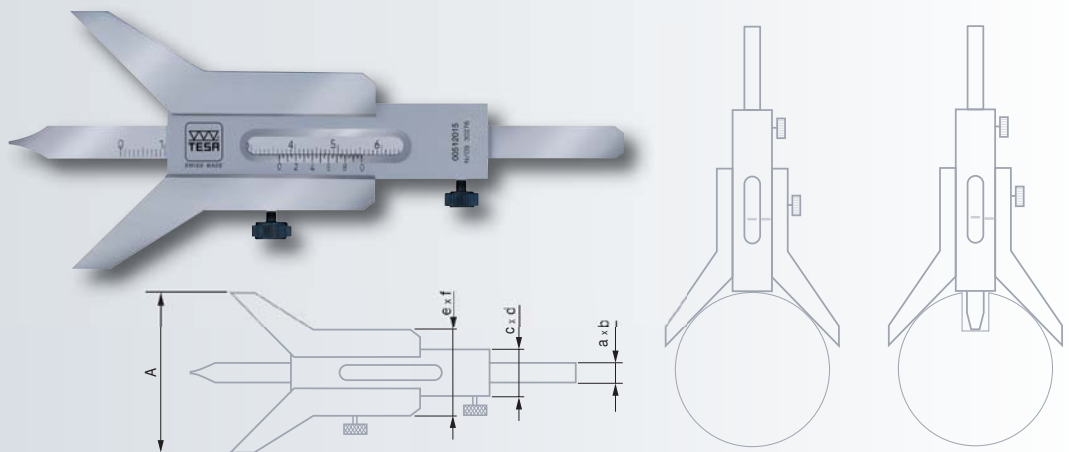
Satin-chrome
scale background;
main scale
slightly set back for wear
protection.

Hardened
stainless steel

Wooden case

Identification
number

Declaration
of conformity



TESA Calipers with Vee Bridge

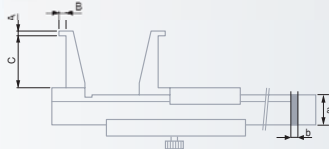
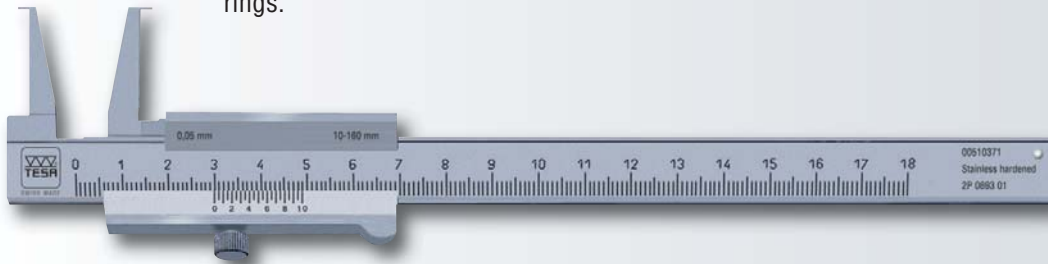
Made to measure groove and slot depths on cylindrical shafts.

	mm	mm	a	b	c	d	e	f	A
00512015	5 ÷ 80	0,05	8	2	18	5	32	10	60
00512016	6 ÷ 120	0,05	8	2	18	5	34	10	90
00512017	7 ÷ 160	0,05	10	2	21,5	5	42	10	120

Optional Accessory
0051610365 Magnetic magnifying glass, 3x magnification.

TESA Calipers for Turned Grooves

Specially designed for measuring groove or slot diameters, e.g. on safety rings.



	mm	mm	mm		A	B	C
			a	b			
00510371	10 ÷ 160	0,05	16	3	0,9	3	25
00510375	20 ÷ 160	0,05	16	3	2	5	40
00510383	26 ÷ 200	0,02	16	3	3	7	60
00510385	26 ÷ 200	0,05	16	3	3	7	60
00510387	30 ÷ 250	0,02	20	4	4	8,5	80
00510391	30 ÷ 250	0,05	20	4	4	8,5	80
00510393	35 ÷ 300	0,02	20	4	5	10	100
00510395	35 ÷ 300	0,05	20	4	5	10	100

Optional Accessory

0051610365 Magnetic magnifying glass, 3x magnification.



Factory standard

Satin-chrome scale background; main scale slightly set back for wear protection.

Hardened stainless steel

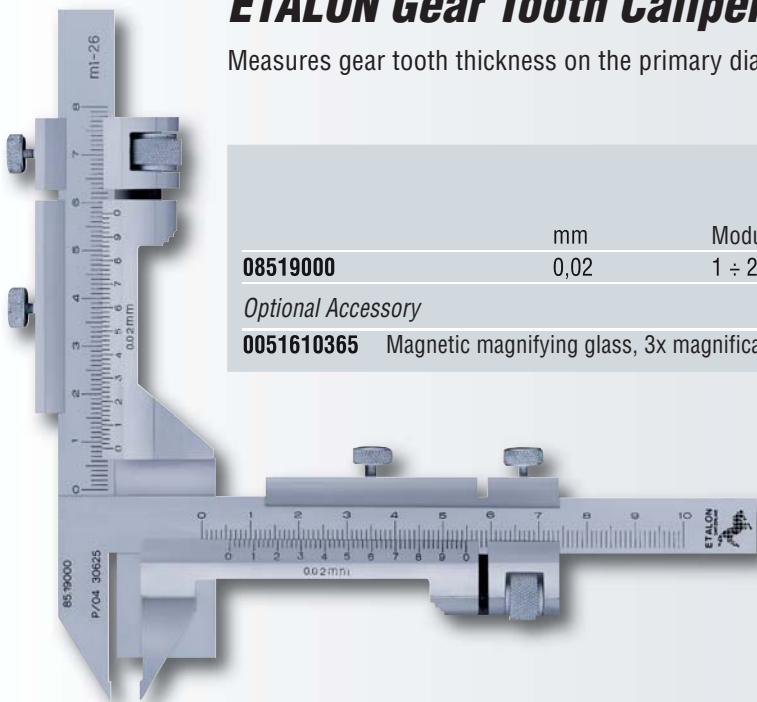
Wooden case

Identification number

Declaration of conformity

ETALON Gear Tooth Caliper

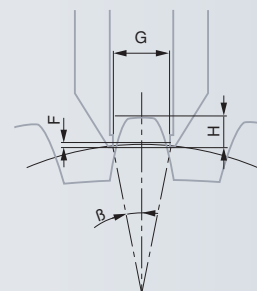
Measures gear tooth thickness on the primary diameter.



	mm	Module
08519000	0,02	1 ÷ 26

Optional Accessory

0051610365 Magnetic magnifying glass, 3x magnification.



Factory standard

Each slider with fine adjust device

Hardened stainless steel. Tungsten carbide coated measuring faces

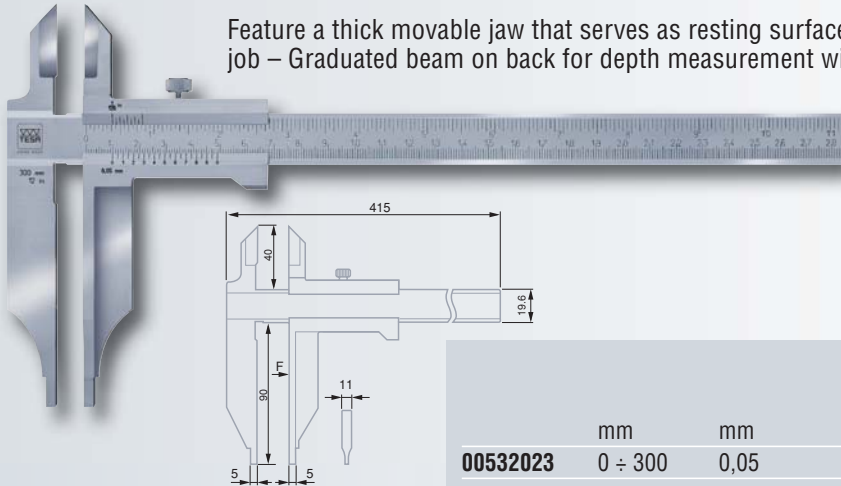
Wooden case

Identification number

Declaration of conformity

TESA Calipers for Scribing

Feature a thick movable jaw that serves as resting surface for your scribing job – Graduated beam on back for depth measurement without the vernier.



	mm	mm	in	in
00532023	0 ÷ 300	0,05	0 ÷ 12	1/128

Optional Accessory

0051610365 Magnetic magnifying glass, 3x magnification.



NF E 11-091

Satin-chrome scale background; main scale slightly set back for wear protection.

Hardened stainless steel

Wooden case

Identification number

Declaration of conformity



Factory standard

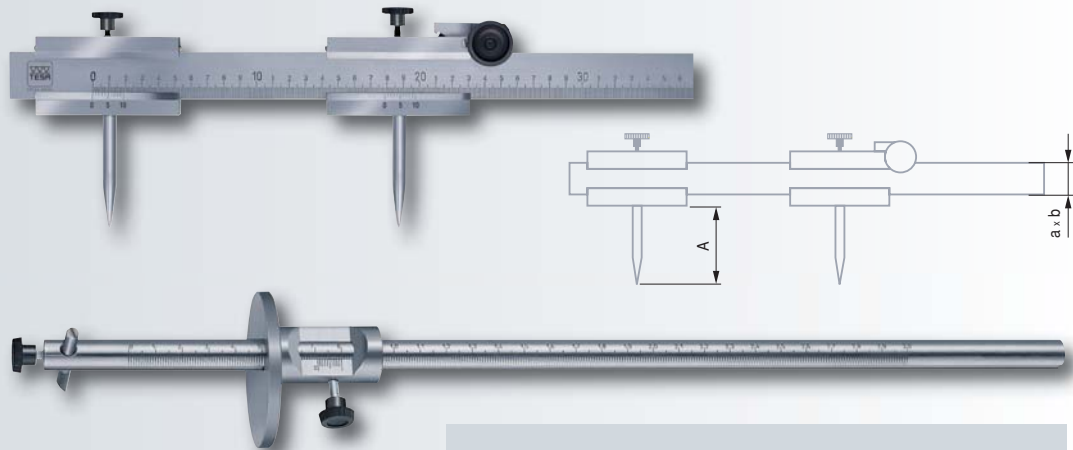
Satin-chrome scale background; main scale slightly set back for wear protection.

Hardened stainless steel

Wooden case

Identification number

Declaration of conformity



	mm	in	A mm	a mm	b mm
--	----	----	------	------	------

Compass-type models with 2 interchangeable points. Also with thumb roller on the right-hand slider.

00512291	0 ÷ 500	0.1	30	6	72
00512292	0 ÷ 1000	0.1	30	6	72
00512293	0 ÷ 1500	0.1	40	8	72
00512294	0 ÷ 2000	0.1	40	8	72

Model with disc-type slider plus scriber

00512021	0 ÷ 300	0.1
-----------------	---------	-----



Plastic pocket bag

2 permanent magnets



Magnetic Magnifying Glass

Can be mounted on calipers and the like for easier vernier reading.

0051610365	3x magnification
-------------------	------------------